






JAS Co.,Ltd.



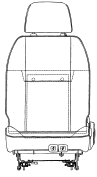
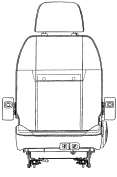
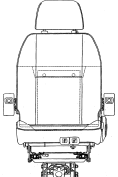
Product catalog for industrial vehicles

December 2021


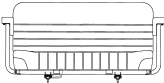
NP-806 series

					
MODEL	NP-806WA	NP-806SNR	NP-806SN	NP-806	NP-816SN
PART NO.	N711216	N711435	N711366	N711555	N711590
Page	2	2	2	2	2

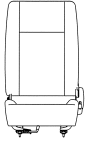

NP-35 series

			
MODEL	NP-35	NP-35A	NP-35A
PART NO.	N710806	N710486	N710485
Page	3	3	3

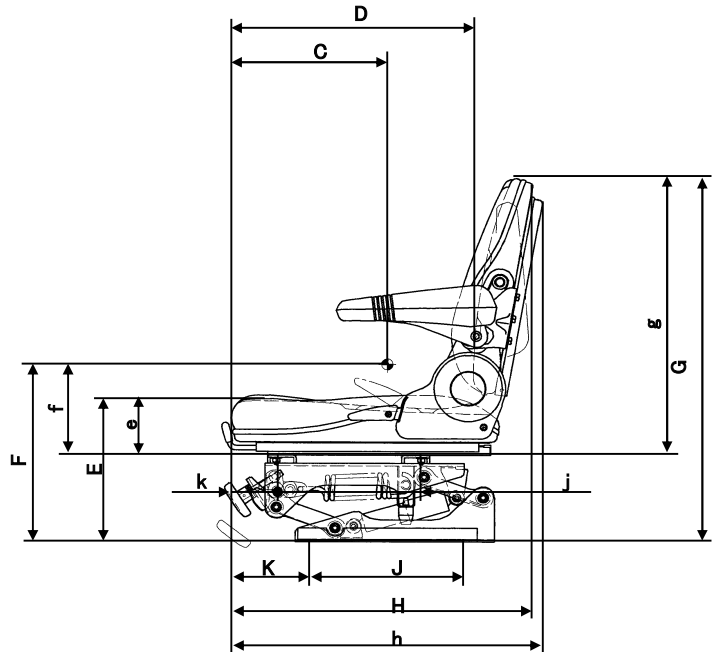
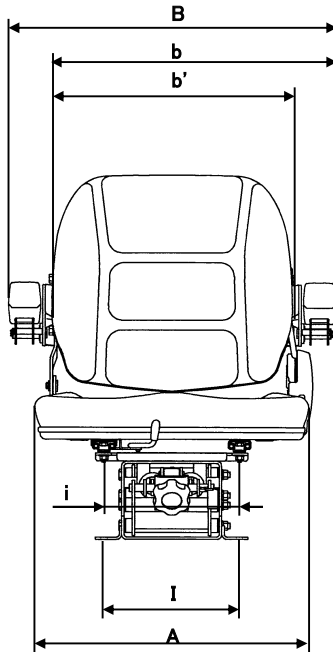
NP-40 series

		
MODEL	NP-180	NP-40
PART NO.	N710935	N711620
Page	4	4

NP-580 series

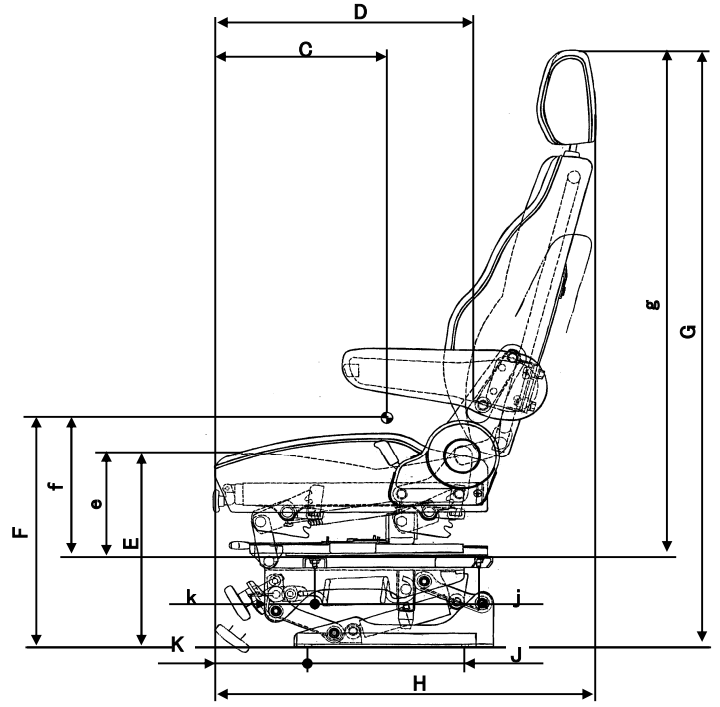
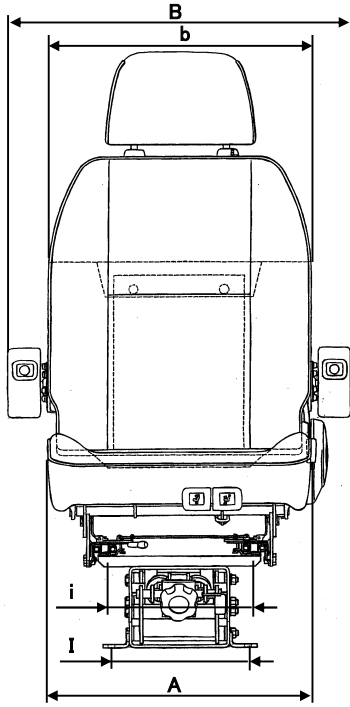
		
MODEL	NP-580	NP-580
PART NO.	N713475	N713589
Page	5	5

NP-806 series



MODEL	NP-806WA	NP-806SNR	NP-806SN	NP-806	NP-816SN
PART NO.	N711216	N711435	N711366	N711555	N711590
HEADRESTRAINT	-	-	-	-	-
ARMREST(L)	●	-	-	-	-
ARMREST(R)	●	-	-	-	-
POCKET, BACK	●	-	-	●	-
ADJUSTER, SLIDE	●	●	●	●	●
ADJUSTER, RECLINING	●	●	●	●	●
ADJUSTER, HEIGHT	-	-	-	-	-
SUSPENSION	-	-	-	-	●
BOOT	-	-	-	-	●
BELT, SEAT	-	-	-	-	-
FOLDING FORWARD	-	-	-	-	-
TRIM COLOR	BLACK	BLACK	BLACK	BLACK	LIGHT GRAY
TRIM TYPE	PVC	PVC	PVC	PVC	PVC
CUSHION WIDTH	A=480	A=480	A=480	A=480	A=480
BACK WIDTH	B=580	b'=420	b'=420	b'=420	b'=420
SIP to FRONT END	C=274	C=274	C=274	C=274	C=274
CUSHION LENGTH	D=420	D=420	D=420	D=420	D=420
CUSHION HEIGHT	e=103	e=128	e=103	e=103	E=261
SIP HEIGHT	f=165	f=191	f=165	f=165	F=323
SEAT HEIGHT	g=500	g=528	g=500	g=500	G=660
SEAT LENGTH	h=548	H=528	H=528	h=548	H=528
SLIDE RAIL MOUNTING PITCH	i=240±1 j=255±1	i=220±1 j=255±1	i=240±1 j=255±1	i=240±1 j=255±1	/
SUSPENSION MOUNTING PITCH	/	/	/	/	I=240±1 J=275±1
SEAT MOUNT to FRONT	k=79	k=79	k=79	k=79	K=137

NP-35 series

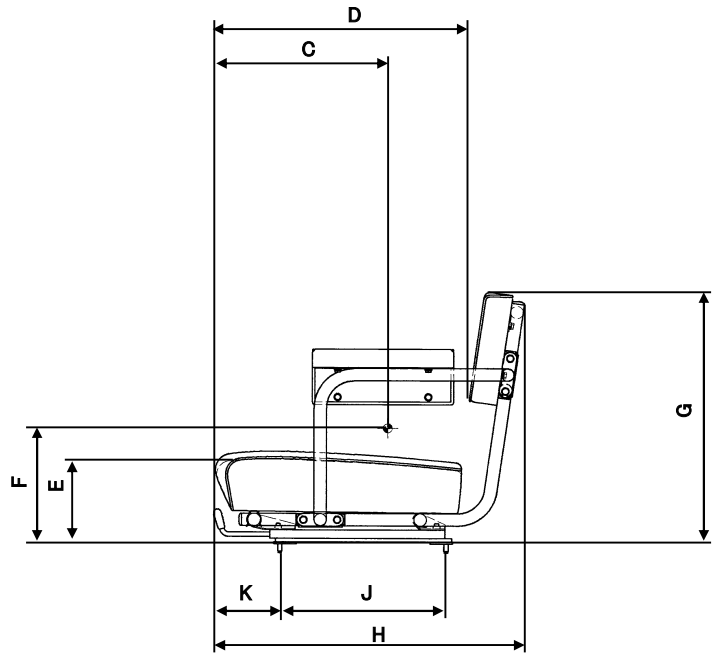
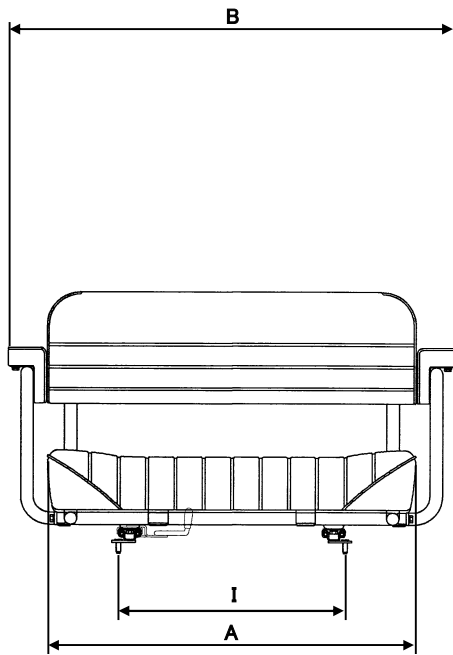


MODEL	NP-35	NP-35A	NP-35A
PART NO.	N710806	N710486	N710485
HEADRESTRAINT	●	●	●
ARMREST(L)	—	●	●
ARMREST(R)	—	●	●
POCKET, BACK	●	●	●
ADJUSTER, SLIDE	●	●	●
ADJUSTER, RECLINING	●	●	●
ADJUSTER, HEIGHT	●	●	●
SUSPENSION	—	—	●
BOOT	—	—	—
BELT, SEAT	—	—	—
FOLDING FORWARD	—	—	—
TRIM COLOR	BLACK	BLACK	BLACK
TRIM TYPE	PVC	PVC	PVC
CUSHION WIDTH	A=460	A=460	A=460
BACK WIDTH	b=460	B=600	B=600
SIP to FRONT END	C=306	C=306	C=306
CUSHION LENGTH	D=437	D=437	D=437
CUSHION HEIGHT	e=190	e=190	E=355
SIP HEIGHT	f=253	f=253	F=418
SEAT HEIGHT	g=920	g=920	G=1085
SEAT LENGTH	H=663	H=663	H=663
SLIDE RAIL MOUNTING PITCH	i=262±1	i=262±1	/
	j=285±0.5	j=285±0.5	/
SUSPENSION MOUNTING PITCH	/	/	I=240±1
	/	/	J=275±1
SEAT MOUNT to FRONT	k=174	k=174	K=166

FEATURES

DIMENSIONS

NP-40 series

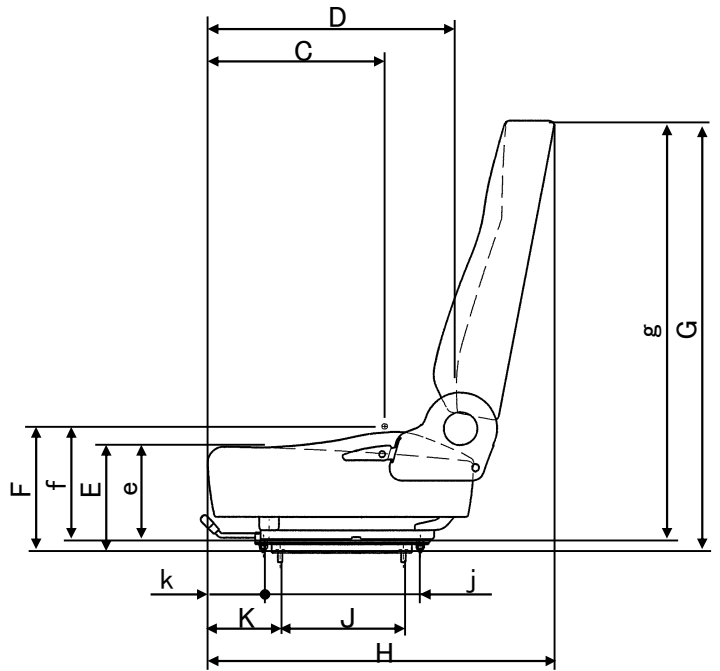
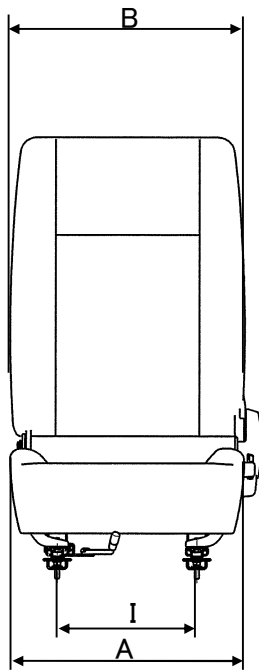


MODEL	NP-180	NP-40
PART NO.	N710935	N711620
HEADRESTRAINT	-	-
ARMREST(L)	●	●
ARMREST(R)	●	●
POCKET, BACK	-	-
ADJUSTER, SLIDE	●	●
ADJUSTER, RECLINING	-	-
ADJUSTER, HEIGHT	-	-
SUSPENSION	-	-
BOOT	-	-
BELT, SEAT	-	-
FOLDING FORWARD	-	-
TRIM COLOR	DARK GRAY	DARK GRAY
TRIM TYPE	PVC	PVC
CUSHION WIDTH	A=650	A=800
BACK WIDTH	B=788	B=930
SIP to FRONT END	C=305	C=286
CUSHION LENGTH	D=448	D=436
CUSHION HEIGHT	E=153	E=150
SIP HEIGHT	F=210	F=197
SEAT HEIGHT	G=455	G=435
SEAT LENGTH	H=545	H=551
SLIDE RAIL MOUNTING PITCH	I=400±2	I=400±2
	J=294±1	J=255±1
SUSPENSION MOUNTING PITCH		
SEAT MOUNT to FRONT	K=114	K=85

FEATURES

DIMENSIONS

NP-580 series



FEATURES

MODEL	NP-580	NP-580
PART NO.	N713475	N713589
HEADRESTRAINT	-	-
ARMREST(L)	-	-
ARMREST(R)	-	-
POCKET, BACK	-	-
ADJUSTER, SLIDE	●	●
ADJUSTER, RECLINING	●	●
ADJUSTER, HEIGHT	-	-
SUSPENSION	-	-
BOOT	-	-
BELT, SEAT	-	-
FOLDING FORWARD	-	-
TRIM COLOR	BLACK	BLACK
TRIM TYPE	PVC	PVC
CUSHION WIDTH	A=420	A=420
BACK WIDTH	B=420	B=420
SIP to FRONT END	C=316	C=316
CUSHION LENGTH	D=442	D=442
CUSHION HEIGHT	e=171	E=189.5
SIP HEIGHT	f=208	F=226.5
SEAT HEIGHT	g=763	G=781.5
SEAT LENGTH	H=620	H=620
SLIDE RAIL MOUNTING PITCH	I=250±1	I=250±1
	j=280±1	J=220±1
SUSPENSION MOUNTING PITCH		
SEAT MOUNT to FRONT	k=100	K=130

DIMENSIONS